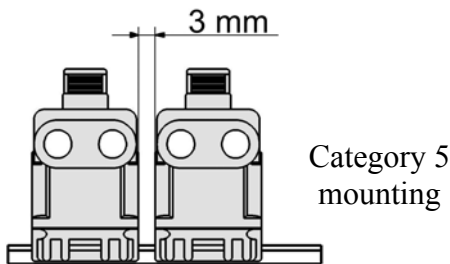
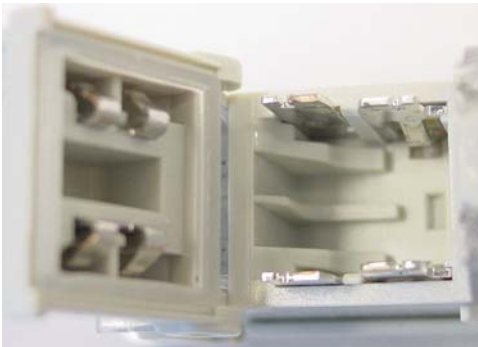




# Termination module MX 2000 C



Termination module MX2000 C disconnection



## High reliability disconnection module

MX2000C is a single pair fully watertight drop wire connector designed to operate under harshest environmental conditions.

The user-friendly design prevents any possible incorrect installations.

## Application

MX2000C is suitable for distribution as well as customer termination in overhead lines. New generation drop wire connector MX2000C, fits all existing networks and can accommodate all existing drop wire sizes, whatever the core conductor material is (steel, copper weld, copper cadmium, bronze).

No specific tools are required to perform IDC (Insulation Displacement Connector) application, a simple screwdriver eases the drop wire cable termination.

Ether line side or subscriber side of MX2000C connector can be re-terminated multiple times with different conductor sizes without any loss of technical properties.

A central disconnection area offers test facilities for both sides.

The unique MX2000 design allows snapping the module on both IEC 715 25mm and 35mm DIN profiles.

MX2000C meets category 5 performance at 100 MHz when installed with a space of at least 3 mm between each modules.

## Features

Drop wire termination side.

- Fully watertight encapsulated contact.
- Screwdriver operated IDC.
- Steel, copper weld, copper cadmium, bronze drop wires from  $\varnothing 0,4\text{mm}$  to  $\varnothing 1,1\text{mm}$  conductors.
- Overall insulation diameter:  $\varnothing 5\text{ mm}$  maximum.
- Drop wire side protected during disconnection.

Cable termination side.

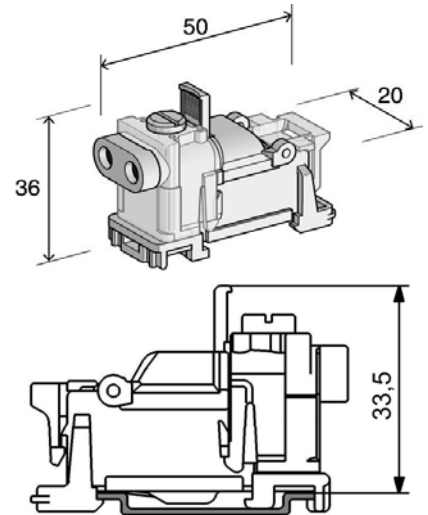
- Tool free IDC.
- Solid copper from  $\varnothing 0,4\text{mm}$  to  $\varnothing 0,8\text{mm}$  conductors.
- Overall insulation diameter:  $\varnothing 1,8\text{ mm}$  maximum.
- Operating temperature: from  $-30^{\circ}\text{C}$  to  $+115^{\circ}\text{C}$ .
- 4 access points for testing points.
- Snap on IEC 715 25mm and 35mm DIN profiles.

## Benefits

- Full protection even in harsh environments.
- No special termination tool needed.
- Applicable on all wire diameter possibilities.
- Multiple reterminations possible.
- No disturbance on other side during termination.
- Suitable to use in different climates.
- Provides test facility for both directions.
- No need for special mounting rail profiles.

# Specification

<b>Capacity</b>	Single pair	<b>Dimensions of the module</b>
<b>CAT5 applicable</b>	@100MHz	Length 50 mm
Electrical Performances		Height 36 mm
- Contact resistance	< 3 m $\Omega$	Width 20 mm
- Leading through resistance	< 20 m $\Omega$	
- Insulation resistance under 500 V	> 10 G $\Omega$	
- Dielectric strength under 50 Hz	5 kV RMS-50Hz	
<b>Materials</b>		
- Plastic materials	polycarbonate	
- Contact material	Phosphor Bronze	
- Contact plating	Tin/Lead	
- Self extinguishing plastic	UL 94 V0	
- Color	clear and lighth grey plastic	
<b>Drop wire termination side:</b>		
Screwdriver operated IDC.		
- Wire type:	Steel, copper weld, copper cadmium, bronze drop wires	
- Wire dimensions:	$\varnothing$ 0,4mm to $\varnothing$ 1,1mm conductors O.D is $\varnothing$ 5 mm maximum	
<b>Cable termination side:</b>		
Tool free IDC.		
- Wire type:	Solid copper	
- Wire dimensions:	$\varnothing$ 0,4mm to $\varnothing$ 0,8mm conductors. O.D. is $\varnothing$ 1,8 mm maximum.	
<b>Operating Temperature:</b>	- 30°C to + 115°C.	
<b>Mounting:</b>	Snap on IEC 715 25mm and 35mm DIN profiles.	



## Ordering informations

## Ref.-No.



**MX 2000 C Disconnection module**  
MOQ 10 ea

C249800A

### 3M is a trademark of 3M.

#### Important Notice

3M does not accept responsibility or liability, direct or consequential, arising from reliance upon any information provided and the user should determine the suitability of the products for their intended use. Nothing in this statement will be deemed to exclude or restrict 3M's liability for death or personal injury arising from its negligence. All questions of liability relating to 3M products are governed by the seller's terms of sales subject where applicable to the prevailing law.

If any goods supplied or processed by or on behalf of 3M prove on inspection to be defective in material or workmanship, 3M will (at its option) replace the same or refund to the buyer the price of the goods or services. Except as set out above, all warranties and conditions, whether express or implied, statutory or otherwise are excluded to fullest extent permissible at law. statutory or otherwise are excluded to fullest extent permissible at law.



#### 3M Telecommunications

Europe, Middle East & North Africa  
c/o Quante AG  
Carl-Schurz-StraBe 1 . 41453 Neuss . Germany

Tel: ++49 (0)2131 / 14-5999  
Fax: ++49 (0)2131 / 14-5998  
Internet: [www.3MTelecommunications.com](http://www.3MTelecommunications.com)