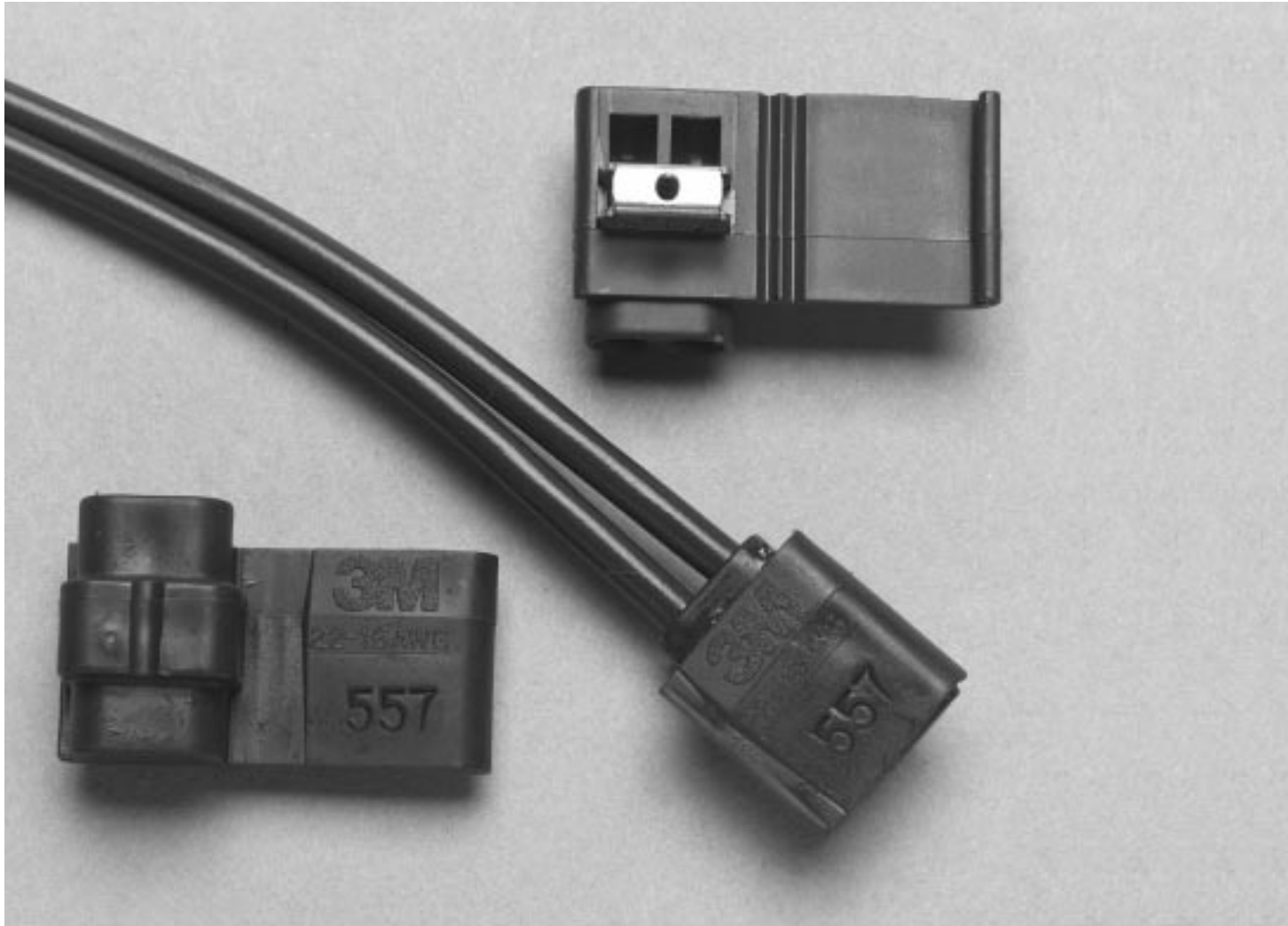


# 3M

## Scotchlok™ 557TG

### Self-Stripping Dropwire Connectors



1

#### Application

Use the 3M™ Scotchlok™ 557TG to electrically connect two dropwire legs, insulate the connection and provide moisture protection.

#### Wire Range

22-16 AWG (0.6 - 1.29 mm) solid, tinned or untinned copper conductors. For use with common thermoplastic insulated dropwire, with a maximum insulation diameter of .120 inches (3.0 mm).

#### Construction

**U-Contact** – Tin plated brass .02 in. (.5 mm) thick

**Insulator** – Flame retardant poly-propylene

**Color** – Dark gray

**Sealant** – Mineral oil based sealant

**Weight** – .0030 lb (1.37 gms)

#### Installation Instructions

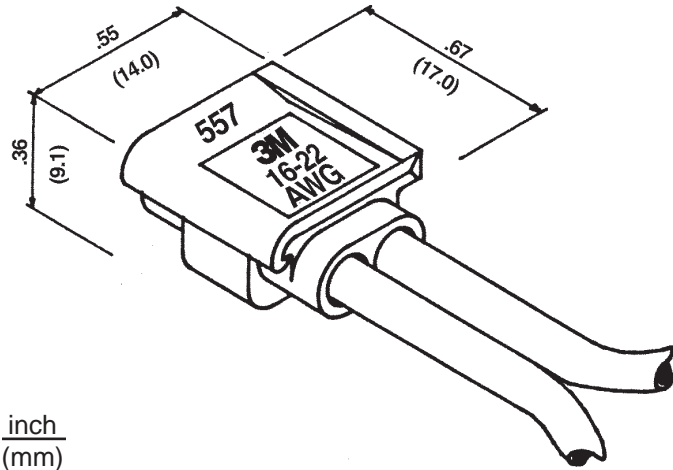
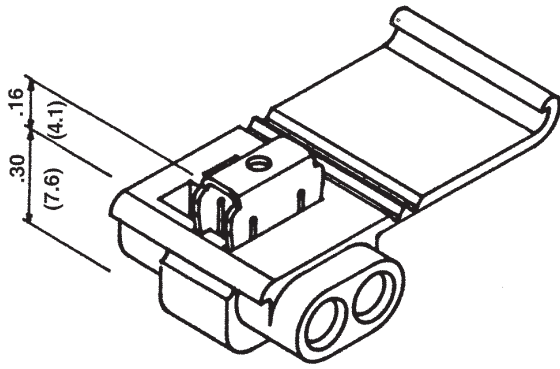
1. Insert unstripped wires completely and check their position in the inspection ports.
2. Hold tool perpendicular to the wires and make the connection by driving the u-contact down flush with the top of the plastic insulator.
3. Close hinged top cover until latched.

#### Recommended Installation Tools

3M™ E-9BM Crimping tool  
9"(225 mm) Linemans Pliers

#### Engineering Specifications

Self-Stripping Dropwire Connector (as manufactured by 3M, Part 557TG) capable of connecting two solid copper wires, in the range of 22-16 AWG (0.6-1.29 mm). The maximum insulation diameter is .120" (3.0 mm)



inch  
(mm)

## Important Notice

All statements, technical information, and recommendations related to Seller's products are based on information believed to be reliable, but the accuracy or completeness thereof is not guaranteed. Before utilizing the product, the user should determine the suitability of the product for its intended use. The user assumes all risks and liability whatsoever in connection with such use.

Any statements or recommendations of the Seller which are not contained in the Seller's current publications shall have no force or effect unless contained in an agreement signed by an authorized officer of Seller. The statements contained herein are made in lieu

of all warranties, expressed or implied, including but not limited to the implied warranties of merchantability and fitness for a particular purpose which warranties are hereby expressly disclaimed.

SELLER SHALL NOT BE LIABLE TO THE USER OR ANY OTHER PERSON UNDER ANY LEGAL THEORY, INCLUDING BUT NOT LIMITED TO NEGLIGENCE OR STRICT LIABILITY, FOR ANY INJURY OR FOR ANY DIRECT, INDIRECT, INCIDENTAL OR CONSEQUENTIAL DAMAGES SUSTAINED OR INCURRED BY REASON OF THE USE OF ANY OF THE SELLER'S PRODUCTS.



### Telecom Systems Division

6801 River Place Blvd.  
Austin, TX 78726-9000  
800/426 8688  
FAX 800/626 0329  
<http://www.3M.com/telecom>



40% Pre-consumer waste paper  
10% Post-consumer waste paper

Litho in USA.

© 3M 1998 80-6108-6122-3(0781.0)XX-2