

Model	Description
TS-DR-75-48	75W Single Output DIN rail Power supply
TS-DR-120-48	120W Single Output DIN rail Power supply
TS-DR-240-48	240W Single Output DIN rail Power supply

## Features:

- Universal AC input / Full range
- Protections: Short circuit / Overload / Over voltage / Over temperature
- Cooling by free air convection
- Can be installed on DIN rail
- LED indicator for power on
- 100% full load burn-in test
- Fix switching frequency at 50KHz



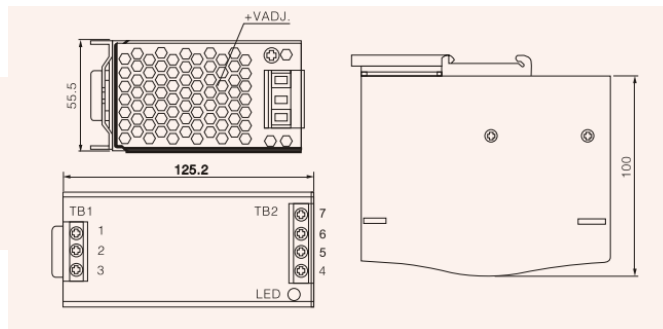
Model	TS-DR-75-48	TS-DR-120-48	TS-DR-240-48
DC output voltage	48V	48V	48V
Rated output current	1.6A	2.5A	5A
Wave and noise	240mVp-p	100mVp-p	150mVp-p
Inlet wire stability	±0.5%		
Load stability	±0.5%		
Efficiency	81%	85%	
Adjustable range for DC voltage	±10%		
Input voltage range	85~264VAC 47~63Hz; 120~370VDC		
Impact current	Cold-start current 20A/115V 40A/230V		Cold-start current 27A/115V 45A/230V
Overload protection	105%~150% Type: cut off the output, automatic recovery		
Over-voltage protection	120%~140% shutdown O/P voltage, re-power on to recover		55~60V
Setup, rise, hold up time	1000ms, 60ms, 60ms/230VAC at full load	500ms, 70ms, 30ms/230VAC at full load	800ms, 40ms, 20ms/230VAC at full load
Withstand voltage	I/P-O/P: 1.5kV I/P-FG: 1.5kV O/P-FG: 0.5kV 1 minute		
Isolation resistance	I/P-O/P I/P-FG O/P-FG: 500VDC/100MΩ		
Working temperature	-10°C~+50°C		
Dimension	55.5x125.2x100mm	65.5 x 125.2 x 100mm	125.5 x 125.5 x 100mm
Weight	0.55kg	0.8kg	1.2kg
Packing	42 x 25 x 24CM/24PCS/13.5kg	45.5 x 35 x 26CM/24PCS/19.2kg	41.5 x 27.5 x 25CM/12PCS/14.5kg

## Overall Dimension:

### TS-DR-75-48:

#### Terminal Pin No.Assignment

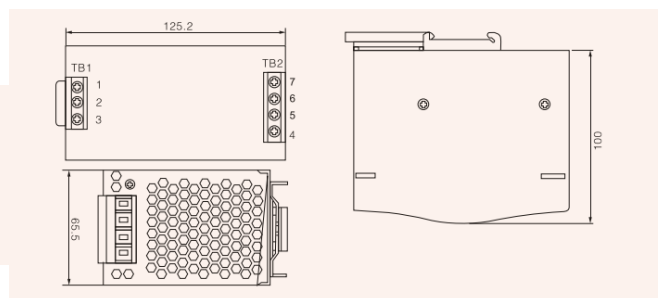
- ✘ Pin 1,2 : AC input
- ✘ Pin 3 : GND ⊕
- ✘ Pin 4,5 : DC output-V
- ✘ Pin 6,7 : DC output+V



### TS-DR-120-48:

#### Terminal Pin No.Assignment

- ✘ Pin 1,2 : AC input
- ✘ Pin 3 : GND ⊕
- ✘ Pin 4,5 : DC output-V
- ✘ Pin 6,7 : DC output+V



### TS-DR-240-48:

#### Terminal Pin No.Assignment

- ✘ Pin 1,2 : AC input
- ✘ Pin 3 : GND ⊕
- ✘ Pin 4,5 : DC output-V
- ✘ Pin 6,7 : DC output+V

