

Recepteur fibre 1550nm pour LNB large bande+terrestre

TST-1550R-L satellite TV FTTH Optical LNB is a fiber optic receiver converting optical signal into RF for up to 4 satellite receivers in one home. Working with TST-1550T-L satellite TV optical transmitter, TST-1550R-L has built-in SatCR module dealing with wideband satellite RF, outputs 4 satellite user bands at one SatCR RF port for 4 unicable satellite receivers.

TST-1550R-L has 1310nm/1490nm/1550nm WDM option port for co-working with GPON ONU in any FTTH application, which enables traditional satellite Quattro LNB contents be inserted in the GPON system.

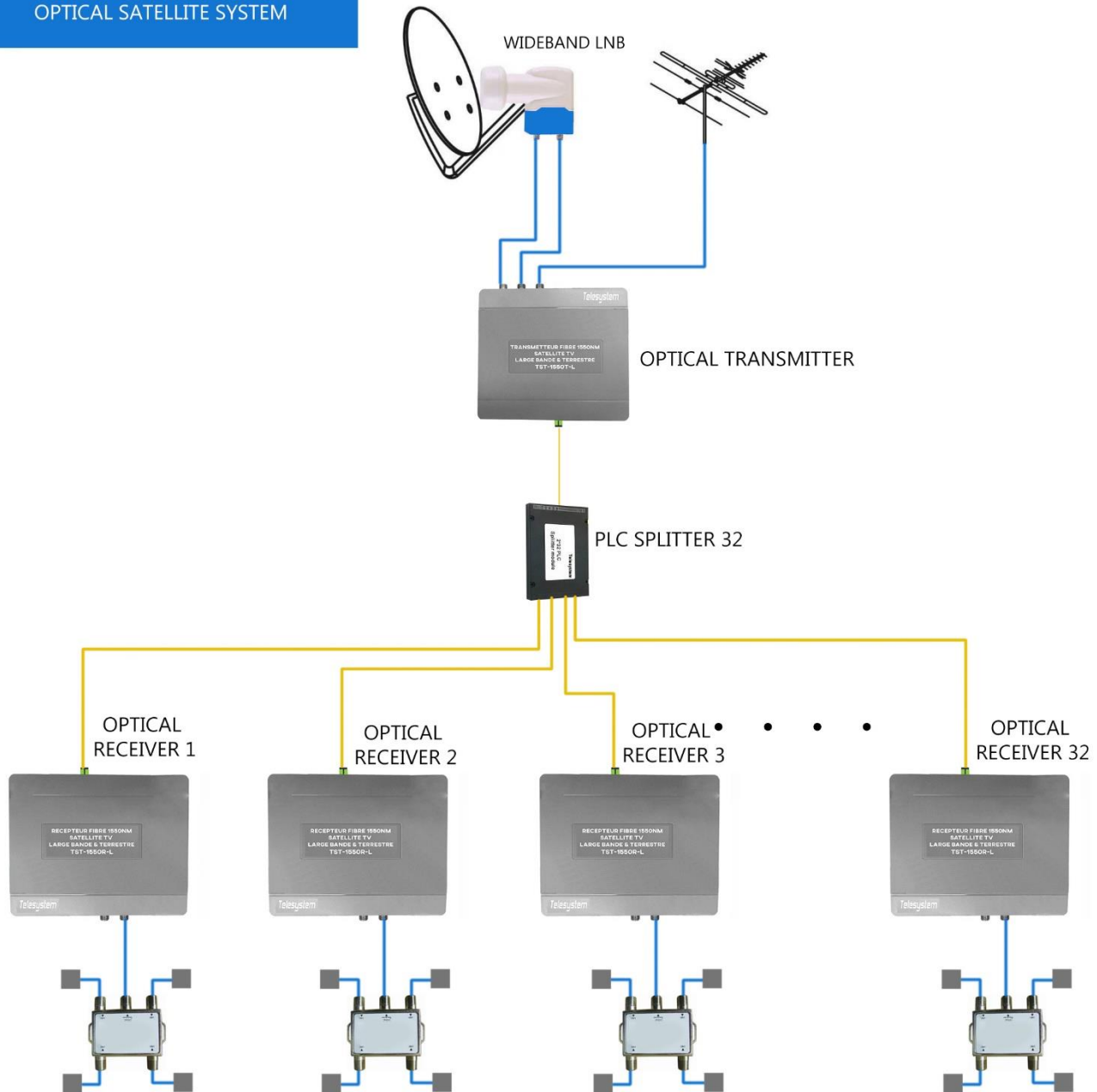


Features:

- Compact die-cast aluminum housing
- High Linearity Photodiode
- SC/APC fiber input
- Optical AGC range: -6dBm ~ +1dBm
- One SatCR RF port for up to 4 unicable sat receivers in one home
- Sat RF Ban: 950~2150MHz
- Terrestrial TV RF Bandwidth: 88~250MHz
- Complied with EN50494+EN50607 standards
- CE approved
- Optional WDM port to GPON ONU

Application:

OPTICAL SATELLITE SYSTEM



Specifications

| Item | Parameter |
|--------------------------|--|
| Input Optical Wavelength | 1000~1600 nm |
| Working Optical Power | -14dBm ~ +2dBm |
| AGC Range | -6dBm ~ +1dBm Optical Input |
| Optical Connector | SC/APC |
| Optical Return Loss | 45 dB |
| RF Bandwidth | Sat: 950~2150MHz Terrestrial TV: 88~250MHz |
| RF Flatness | Sat: $\pm 4.0\text{dB}@88\sim 2150\text{MHz}$, $\leq 1.5\text{dB}@any 36\text{MHz}$ |
| RF Return Loss | >10 dB |
| RF Connector | American F Female |
| RF Output Impedance | 75 Ω |
| RF Output Level | >74dB $\mu\text{V}@(-6\text{dBm} \sim +1\text{dBm})$ |
| Sat User Band | 4 (EN50494+EN50607) 1210MHz, 1420MHz, 1680MHz, 2040MHz |
| Power Supply | 11~20V DC power adapter with F connector |
| Power Consumption | 5W |
| LED Indicator | Wideband Horizontal LED and wideband vertical LED Green when the signal is higher than -55dBm |
| Working Temperature | -10 ~ +50 $^{\circ}\text{C}$ |
| Storage Temperature | -40 ~ +85 $^{\circ}\text{C}$ |
| Humidity | $\leq 95\%$ |
| Dimension (L*W*H) | 165mm \times 85mm \times 38mm |
| Weight | 0.5 Kg |

Ordering Information

TST-1550R-L: Satellite TV FTTH Optical LNB for 4 uncable receivers in one home
X(GPON Option): None_ No WDM port to ONU, W_ one WDM fiber port to ONU